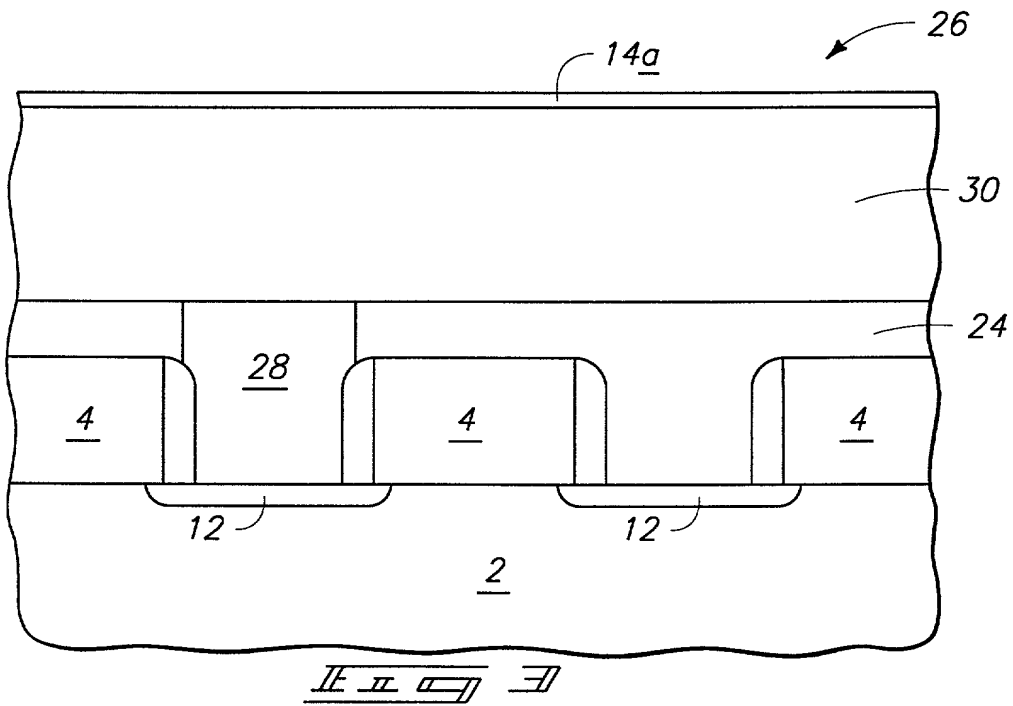
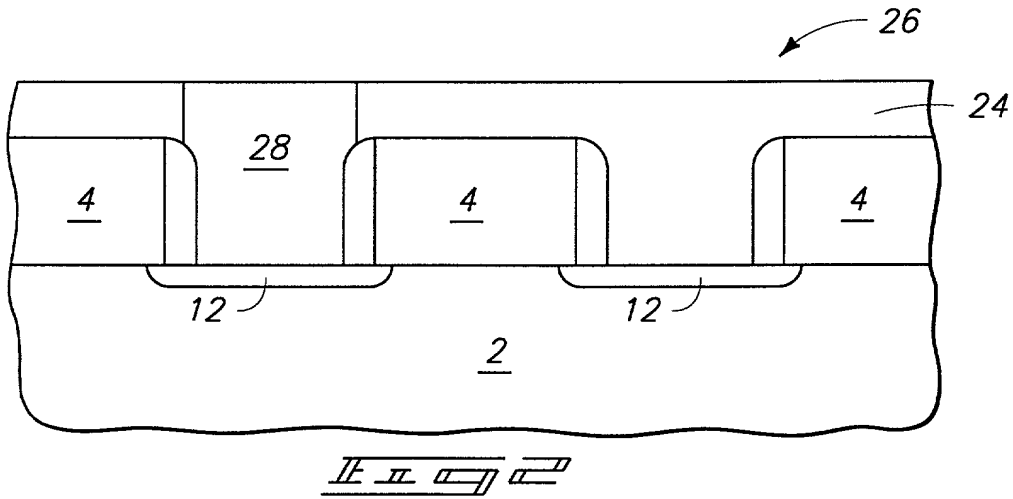
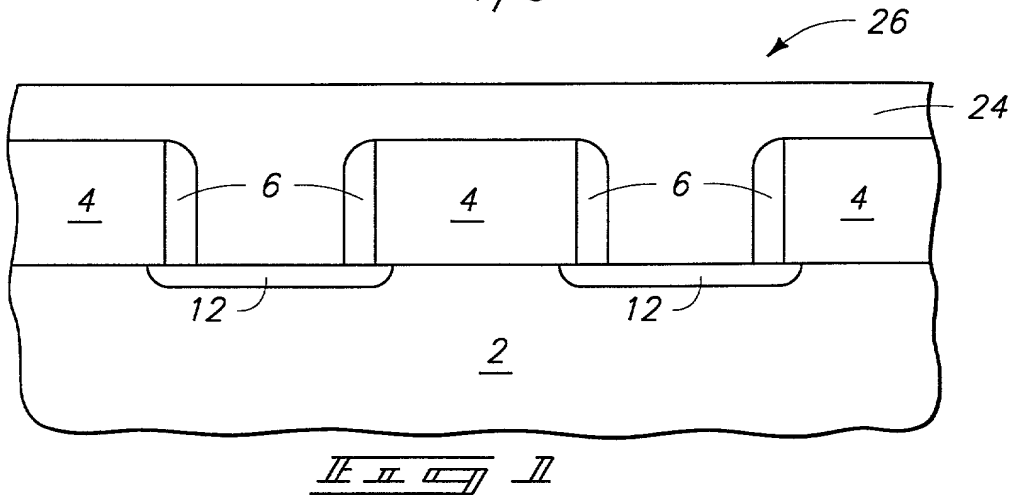


1/9



FOR PUBLICATION

2/9

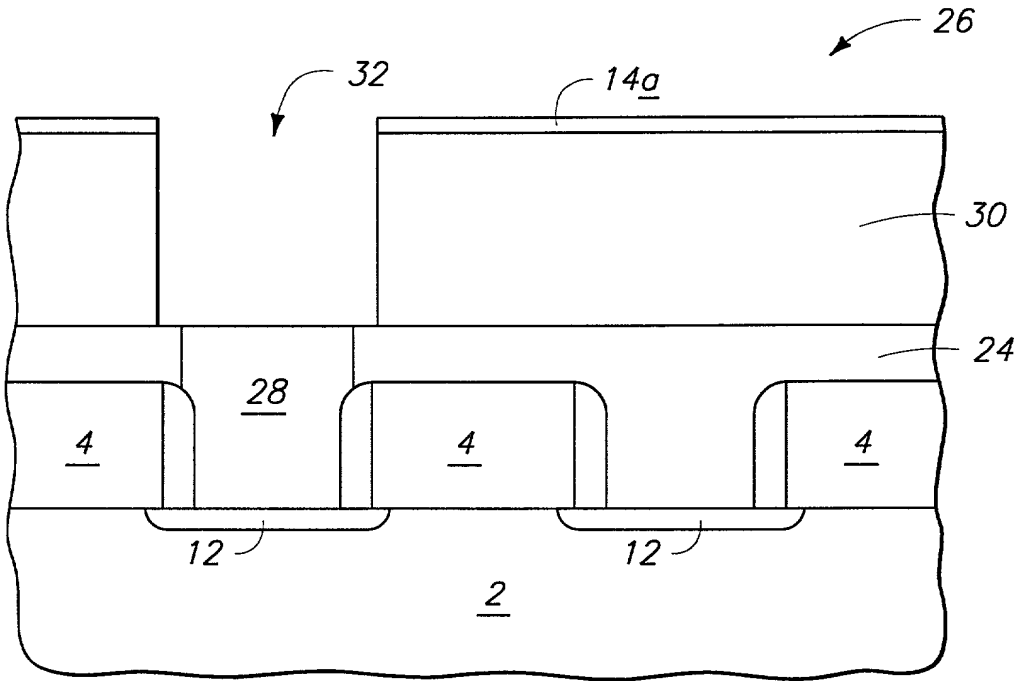


FIG. 4

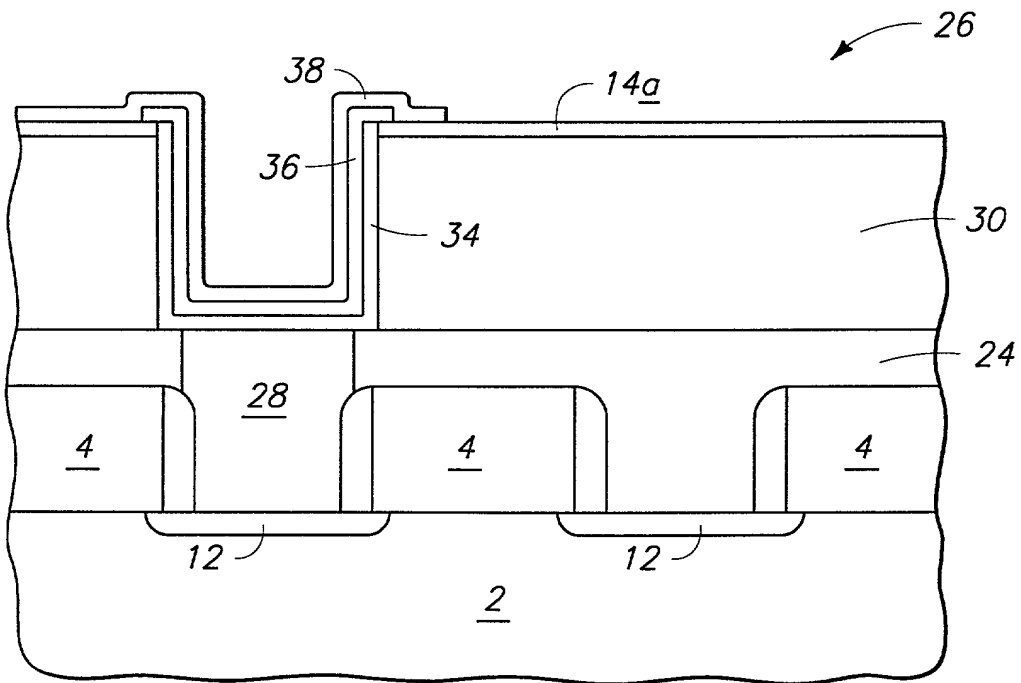
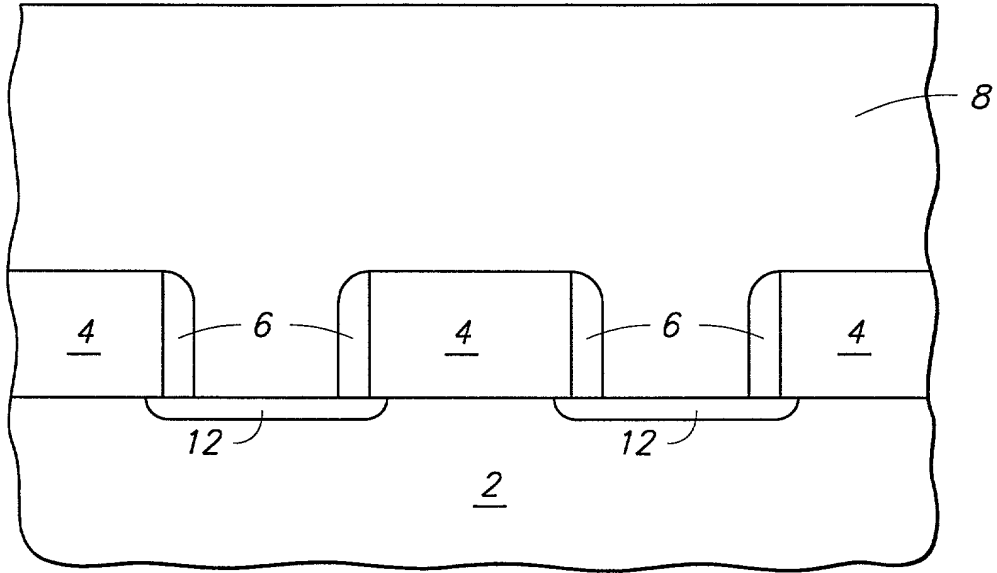


FIG. 5

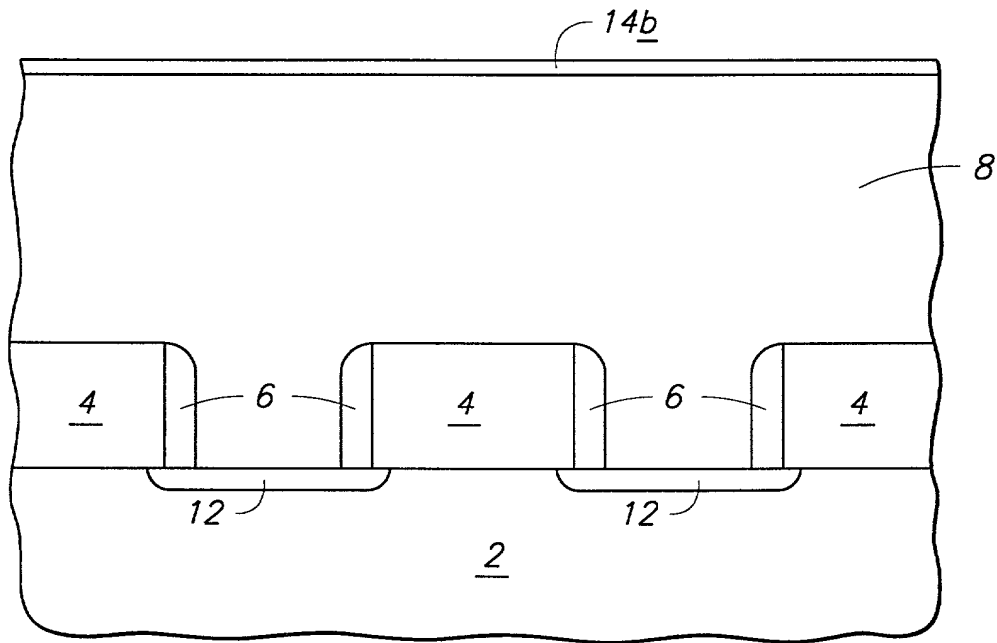
3/9

10



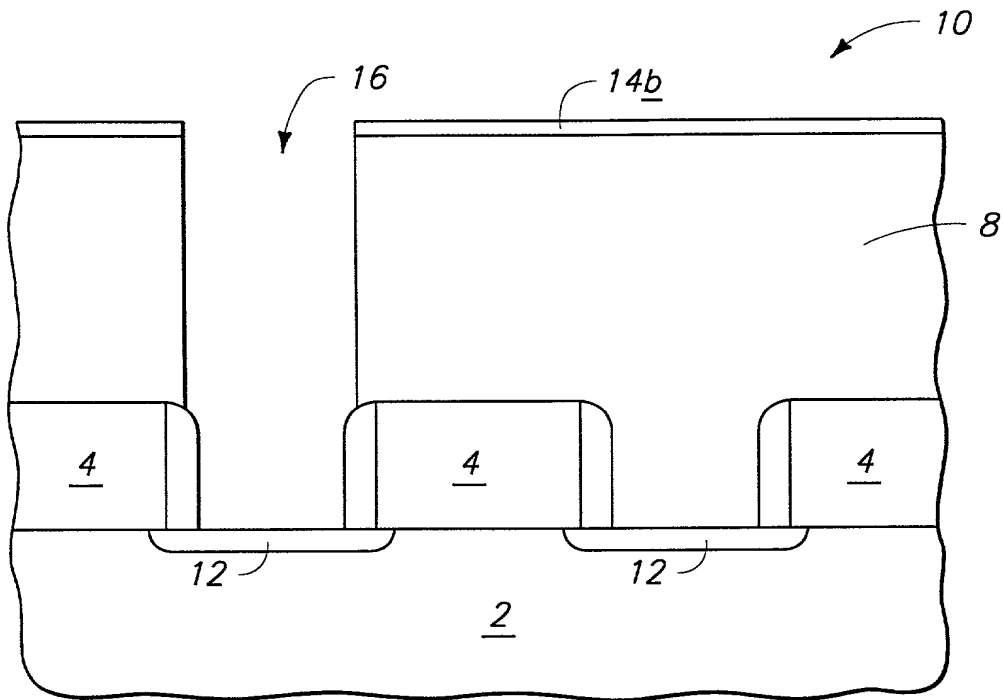
II II II II

10

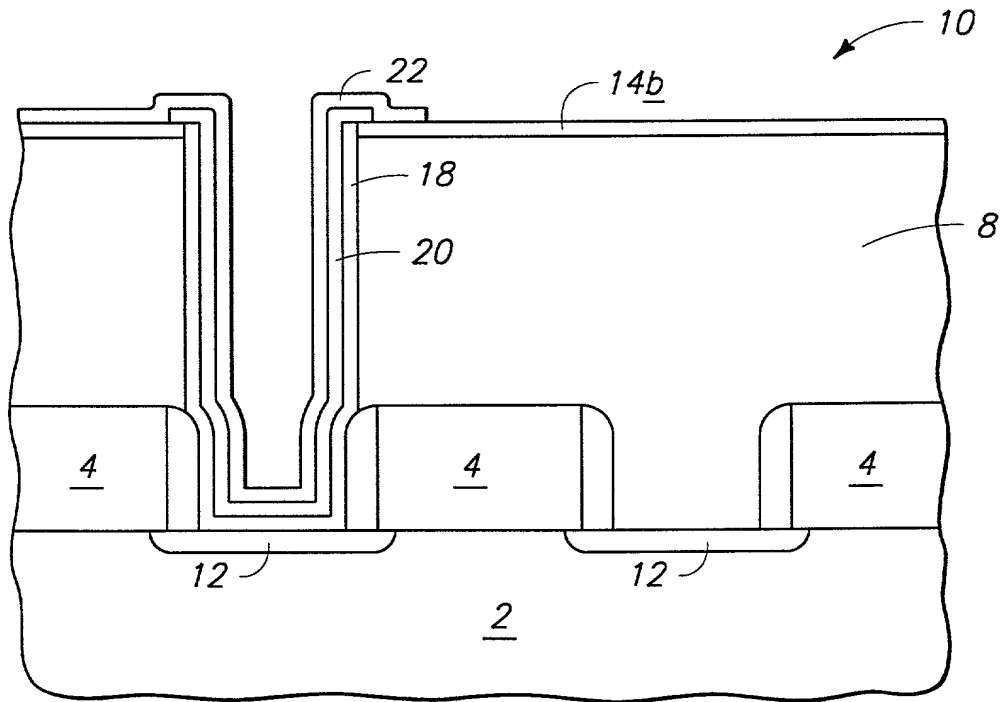


II II II II

4/9

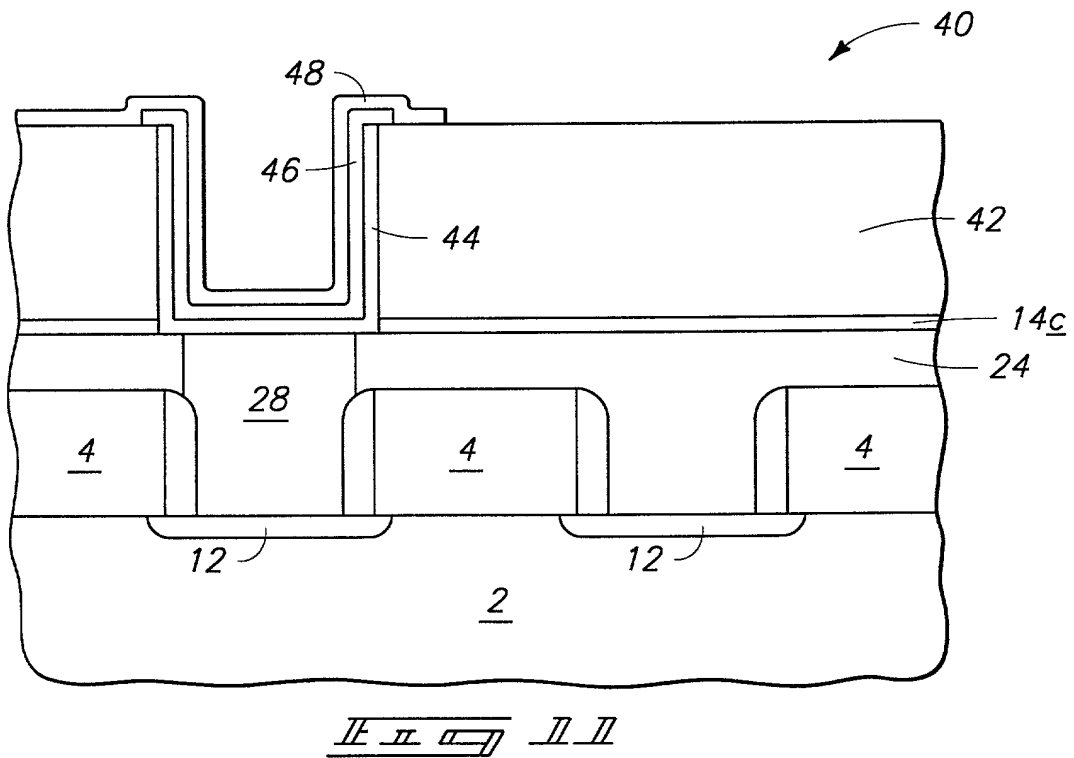
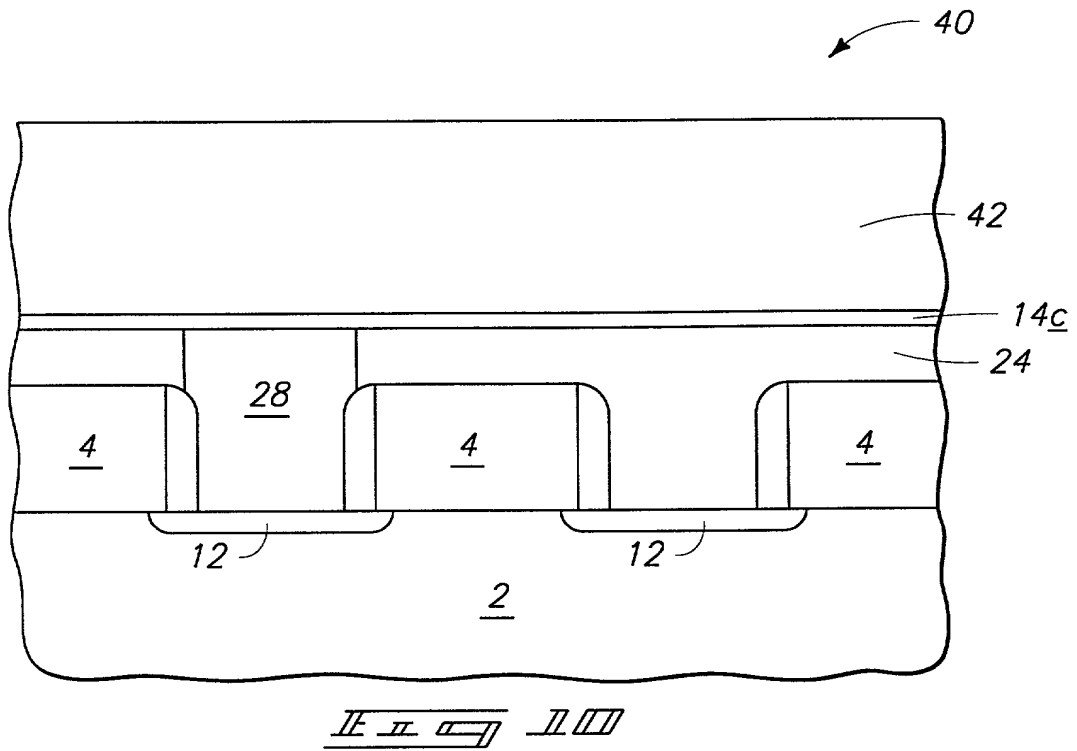


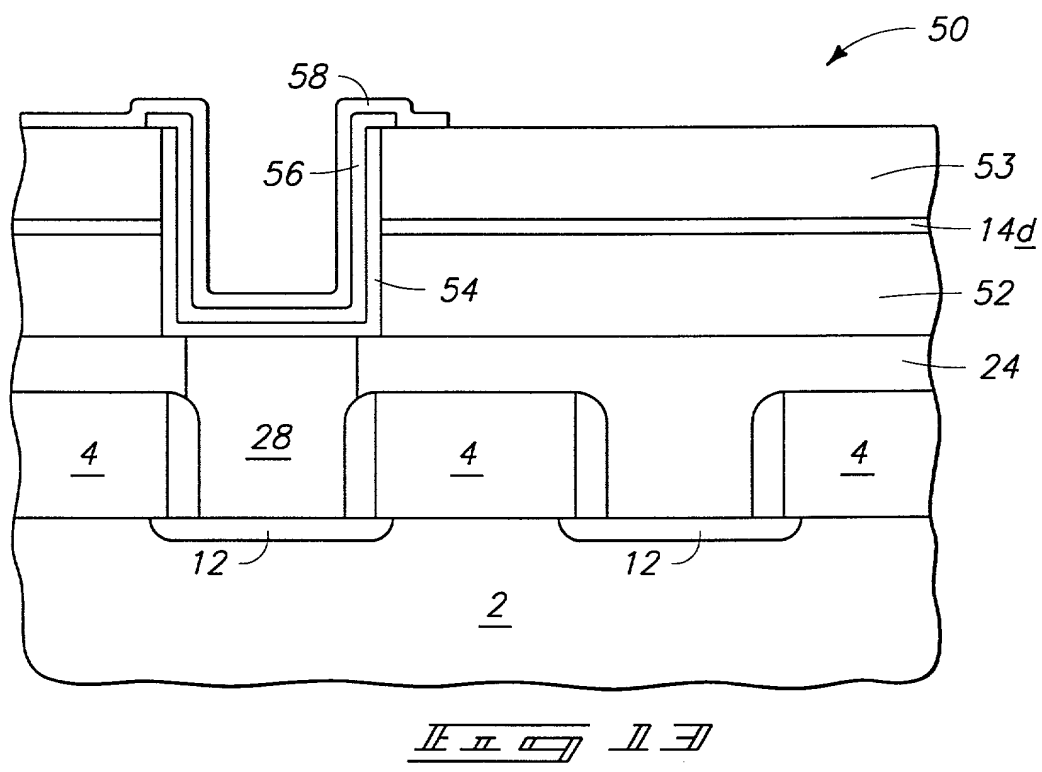
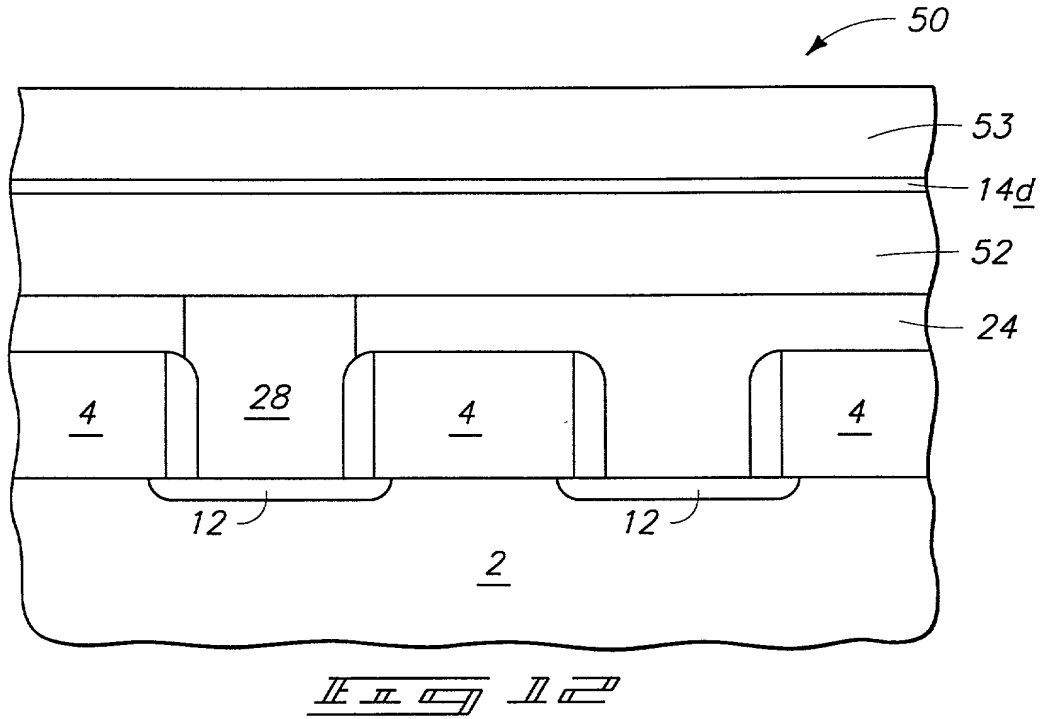
II II 88



II II 91

5/9





7/9

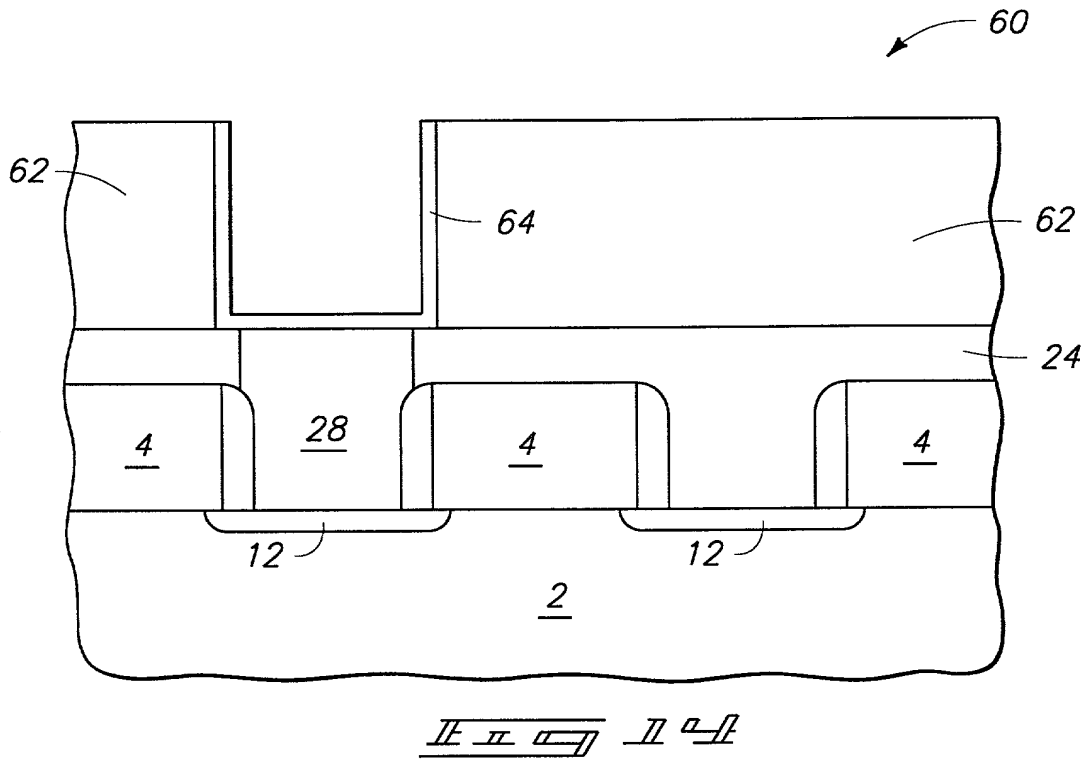


Fig. 11 Fig. 12

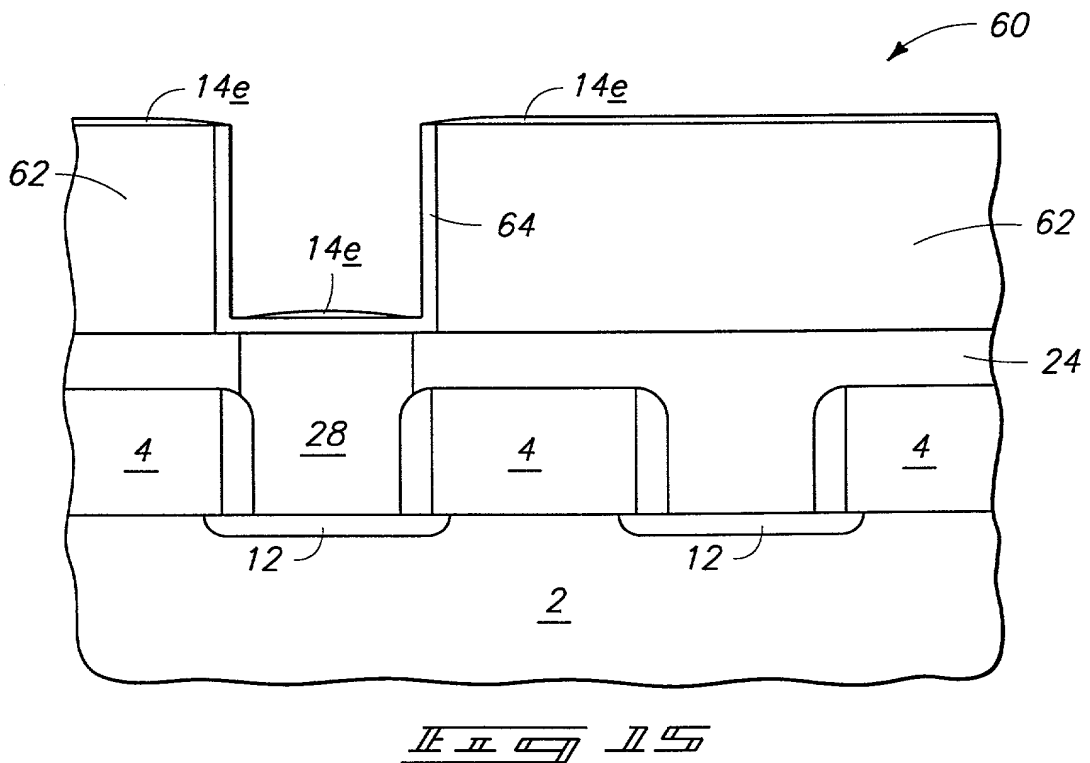
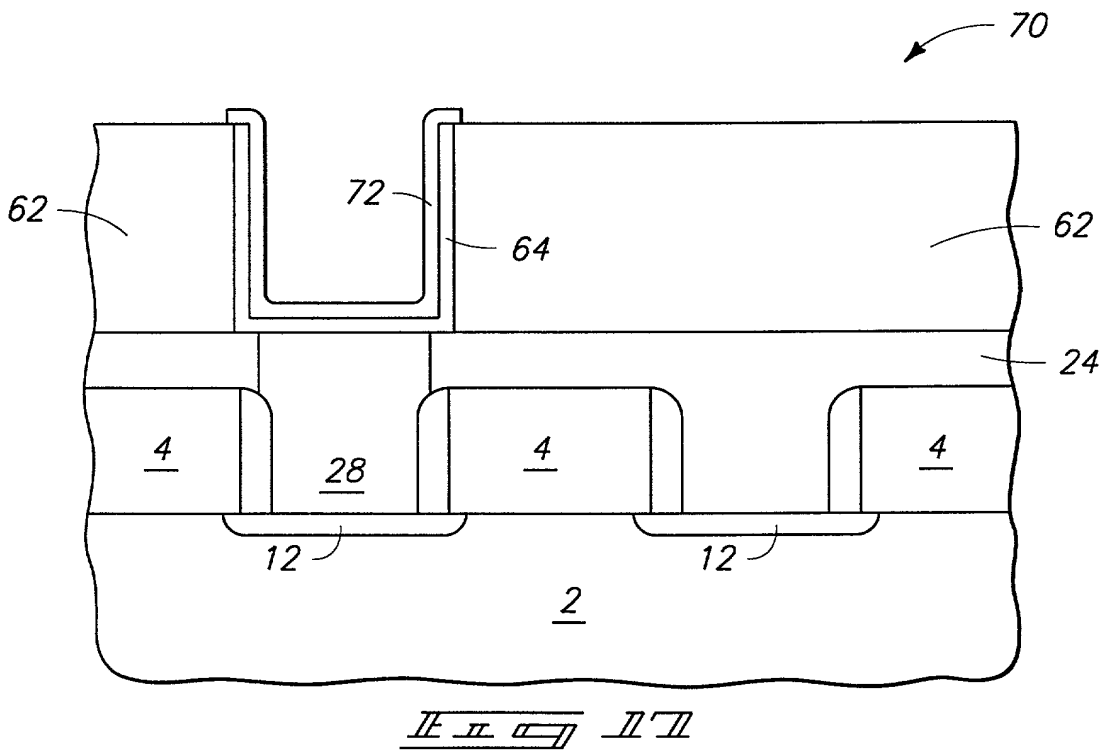
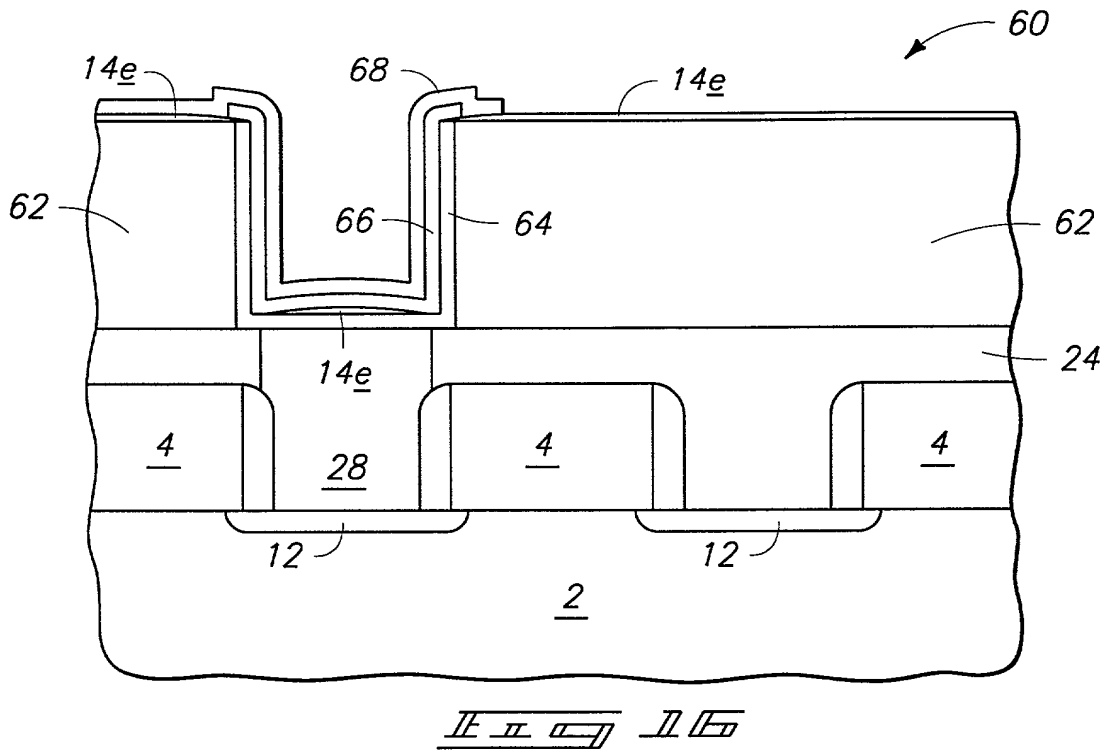


Fig. 13 Fig. 14





9/9

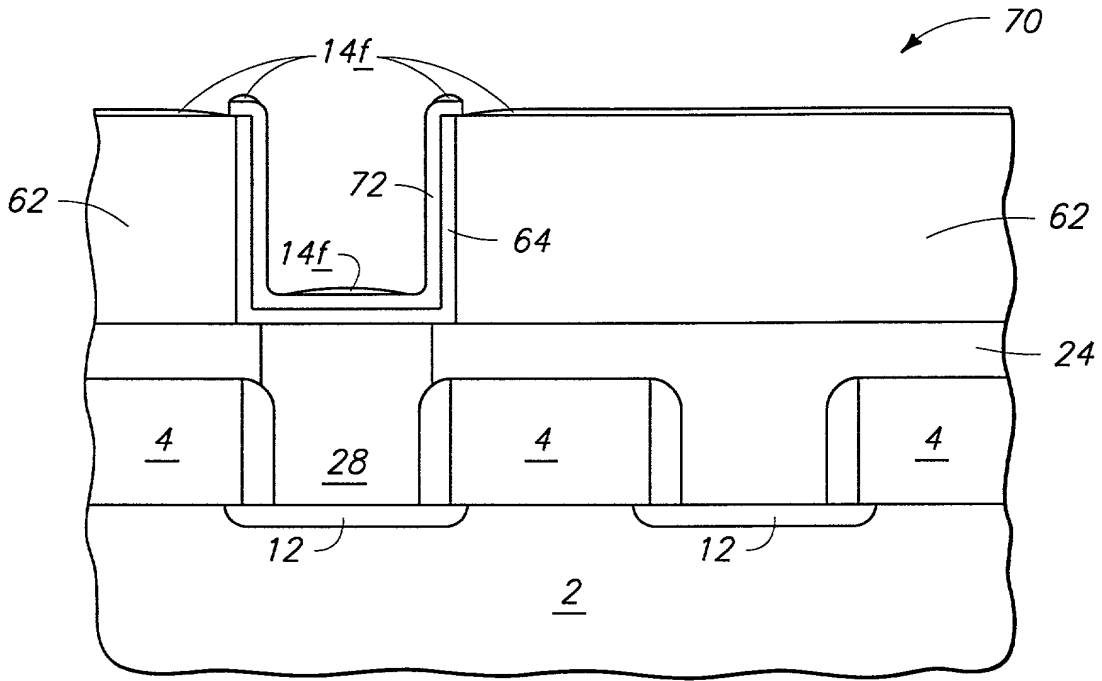


FIG. 11

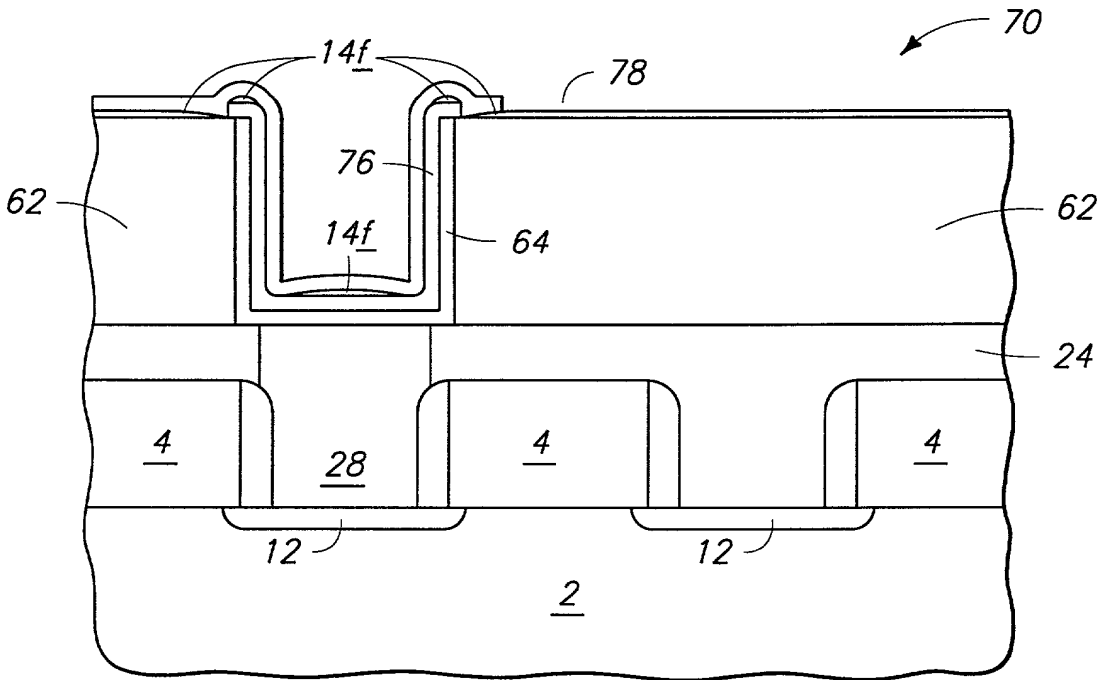


FIG. 12